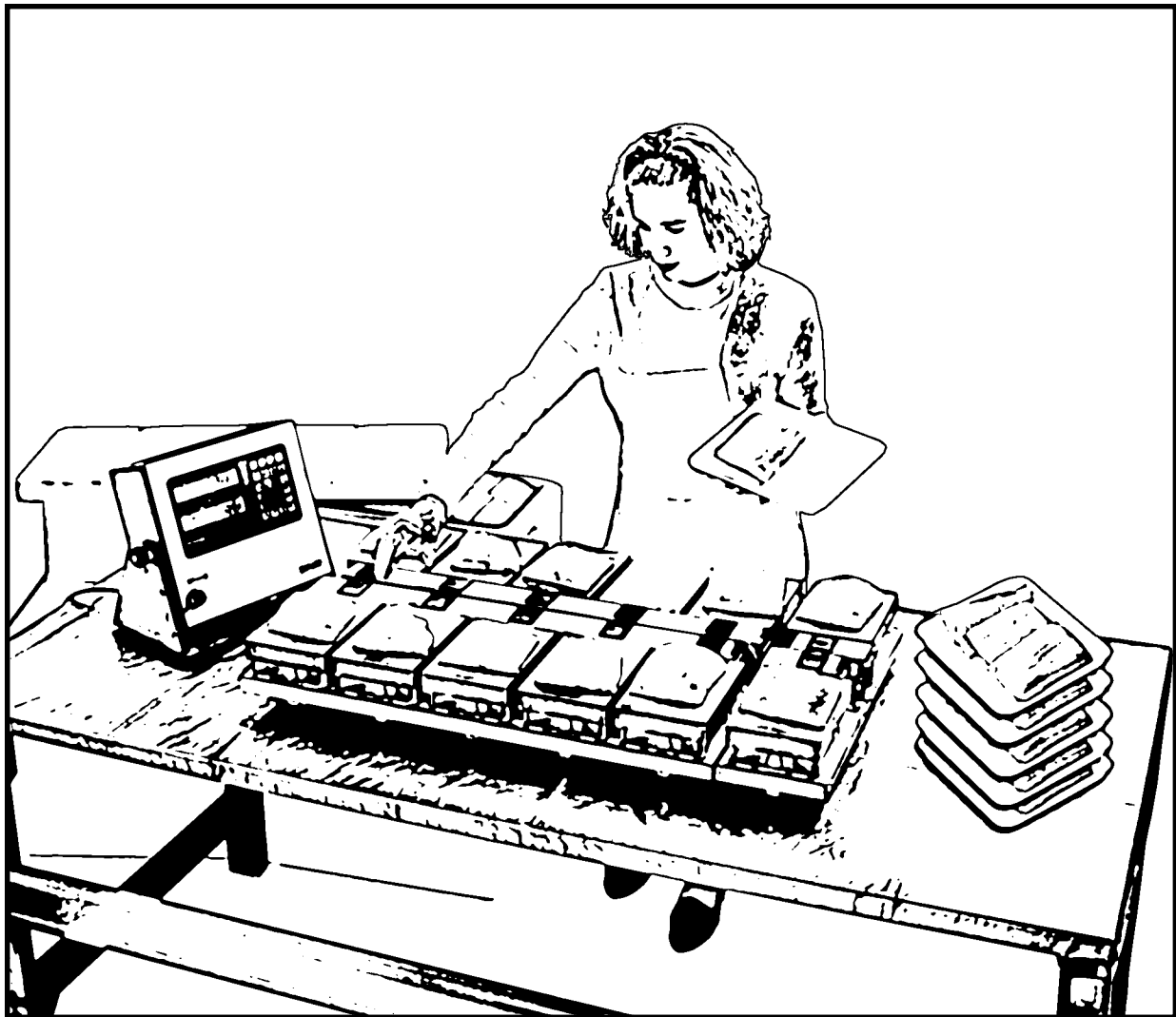


Combination Scale

For Packing

Increase your profit by
decreasing your give-away.



Model:

TDW-204W

by **Yamato**

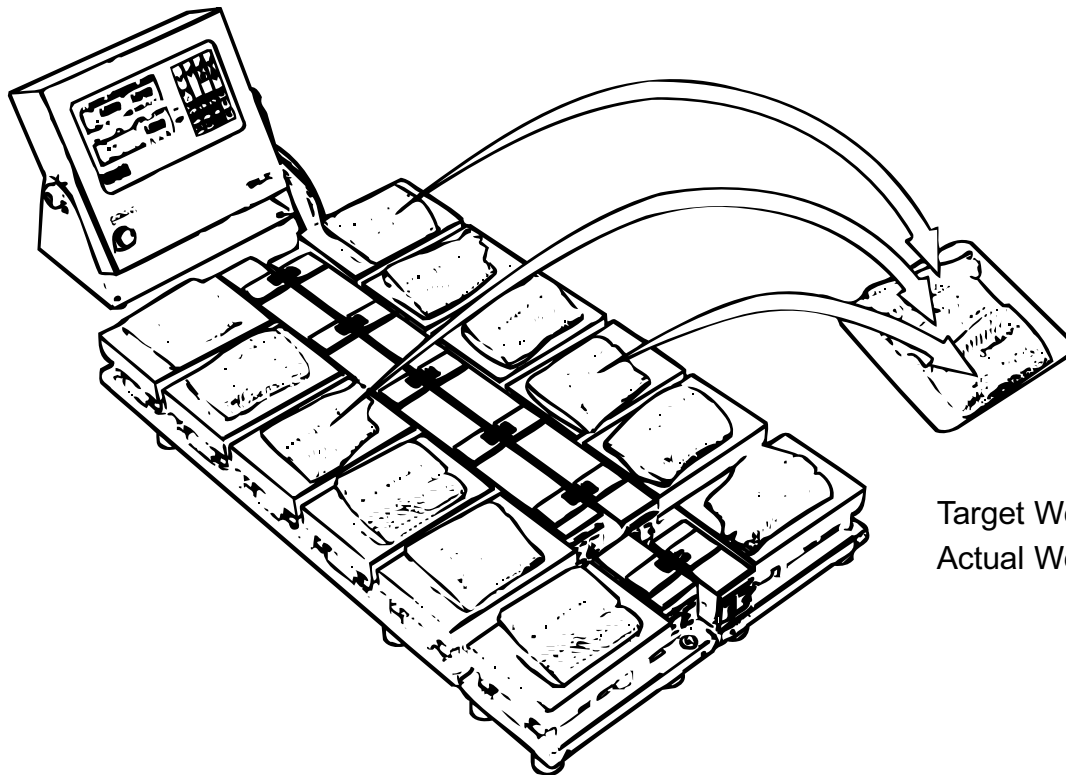
Simply Follow the Lights

Introduction

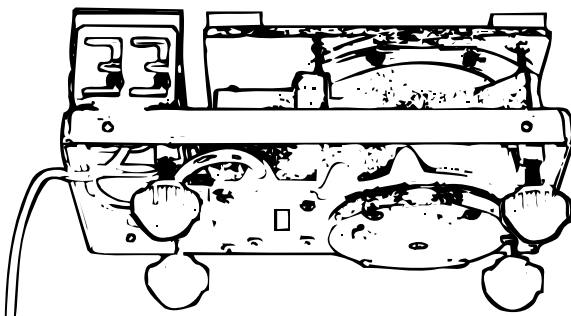
The TDW consists of 10 main scales and 2 satellite scales which work together to provide up to 4096* combinations in only 0.1 seconds. The TDW is designed to make fast combinations with little give-away. It is common to reach speeds of 6 to 15 packs or boxes per minutes. *Using all 12 scales

Box Filling

Simply enter the pack weight and give-away, then load the scale. The TDW automatically finds the product combination closest to your pack weight and indicates the result with lights. Once the lit products are removed, the TDW calculates the next combination.



Target Weight: 1.500 lb
Actual Weight: 1.520 lb



Hermetically sealed load cell

Rugged, washdown construction

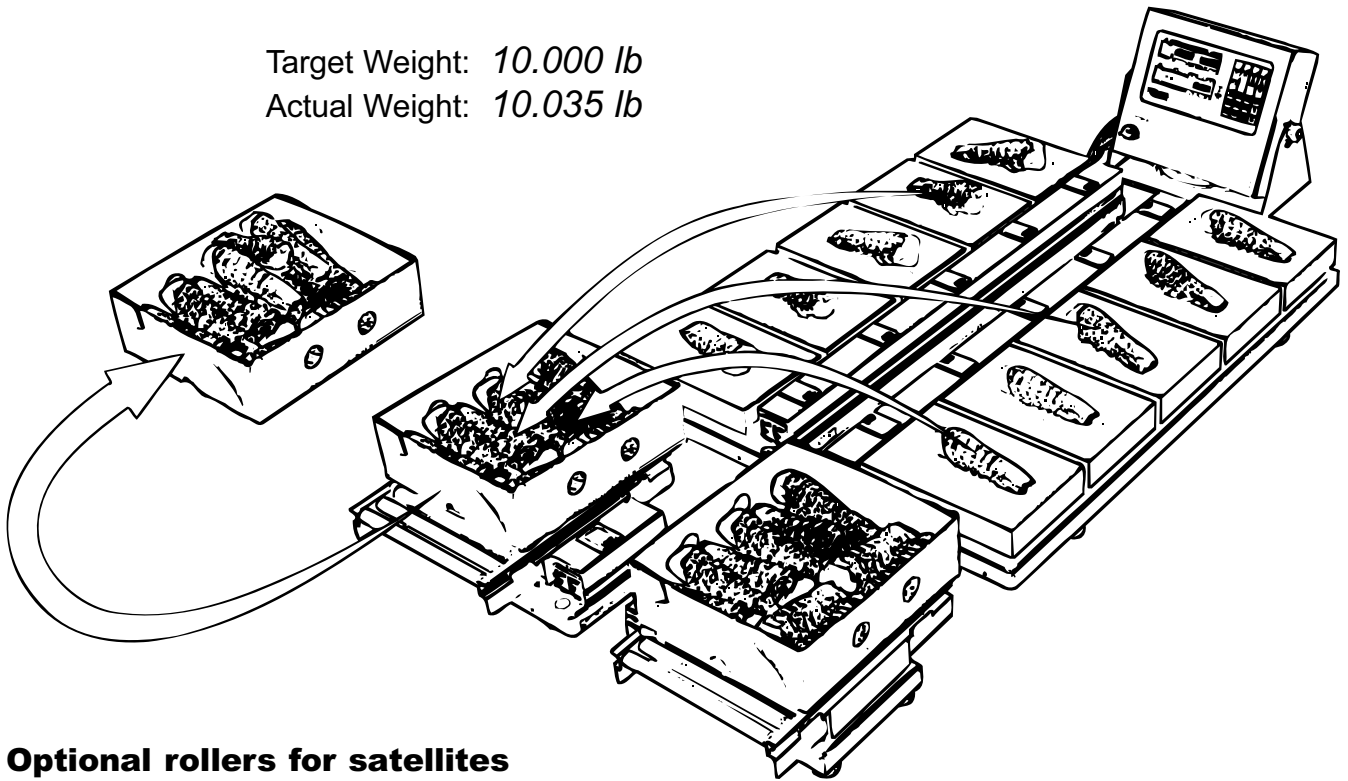
The TDW is constructed from high quality stainless steel. The entire scale is washdown and thrives in the harshest environments. Hermetically sealed housings protect the weighing devices from damaging air and moisture.

On Target Every Time

Portioning

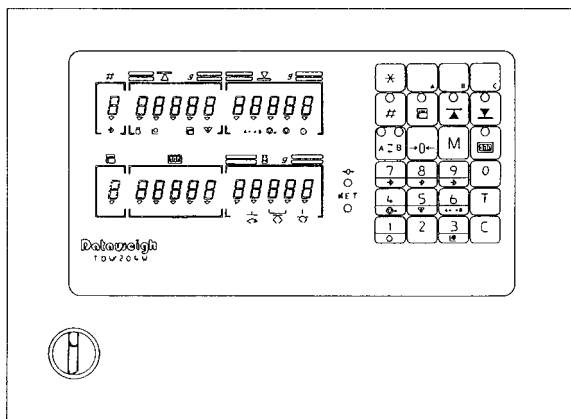
Simply enter the box weight and give-away, then load the main scales with individual products and the two satellite scales with prefilled boxes. The TDW will light one prefilled box and several products to make an optimum combination closest to your box weight.

Target Weight: 10.000 lb
Actual Weight: 10.035 lb



Optional rollers for satellites

Rollers are a perfect addition to keep your operation smooth and efficient.



User friendly indicator

The keypad and display have matching icons to assist the operator. Upper and lower limits are easily programmed and recalled with the touch of a button. Up to 13 different products can be stored.

Water Rating:
NEMA 4, IP 65

TDW-204W

Applications

Perfect for any packaging application where a small give-away cost money. The TDW is designed to decrease give-away and increase production.

Features

- ◆ Combination By Weight
- ◆ Priority Combination
- ◆ Optimum Combination
- ◆ 2-Operator Weighing
- ◆ Sorting
- ◆ One-Touch Tare
- ◆ 13 Product Memory
- Store and recall upper and lower limits
- ◆ Independent Scale Suspension
- ◆ Batching
- ◆ Scale Diagnostic Check

Model	TDW-204WS (small) or TDW-204WL (large)
Capacity and Minimum Division	Main Scale (10 units): 3 kg x 0.001 kg or 6 lb x 0.002 lb
	Satellite Scale (2 units): 3 kg x 0.001 kg, 6 kg x 0.002 kg, or 15 kg x 0.005 kg 6 lb x 0.002 lb, 15 lb x 0.005 lb, or 30 lb x 0.01 lb
Weighing System	Single Point Strain Gauge Load Cell (hermetically sealed with housing)
Displays	Console: Fluorescent Tube Combination Lamps: LED Display
Maximum Taring	Scale Capacity
Power Requirement	Power Supply: 100/115/200/220/230/240 VAC +/-10% 50-60 Hz Power Consumption: 15 VA
Operating Temp.	32 °F - 104 °F (0 °C - 40 °C)
Shipping Weight	S: 215 lb (97 kg), L: 275 lb (125 kg)

All weights and dimensions are approximate.

How THE TDW WILL MAKE US MONEY!

PRODUCT: SALMON FILLETS (3 PIECE PACK)
UNIT PRICE: \$2.98/PACK
TARGET WEIGHT: 1.500 LB

CURRENT GIVE-AWAY: 0.060 LB
NEW TDW GIVE-AWAY: 0.020 LB
SAVINGS PER PACK: 0.040 LB

PRODUCTION: 3600 PACKS/DAY (6 HOUR WORK DAY)
SAVINGS PER DAY: 3600 PACKS x 0.040 LB = 144 LB
EXTRA PACKS PER DAY: 144 LB / 1.5 LB = 96 PACKS

EXTRA INCOME PER DAY: 96 PACKS x \$2.98 = \$286.08

TDW PAYS FOR ITSELF IN 63 DAYS!

PRODUCT: LOBSTER TAILS (10 LB BOX)
UNIT PRICE: \$130.00/BOX
TARGET WEIGHT: 10 LB

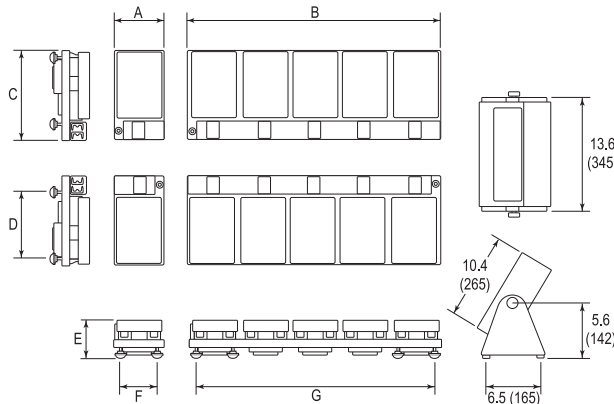
CURRENT GIVE-AWAY: 0.125 LB
NEW TDW GIVE-AWAY: 0.035 LB
SAVINGS PER PACK: 0.090 LB

PRODUCTION: 2160 BOXES/DAY (6 HOUR WORK DAY)
SAVINGS PER DAY: 2160 PACKS x 0.090 LB = 194.4 LB
EXTRA PACKS PER DAY: 194.4 LB / 10 LB = 19 BOXES

EXTRA INCOME PER DAY: 19 BOXES x \$130 = \$2470.00

TDW PAYS FOR ITSELF IN 8 DAYS!

Dimensions



TDW-204WS
A 6.3" (160mm)
B 29.9" (760mm)
C 10.6" (270mm)
D 7.7" (195mm)
E 4.9" (124mm)
F 4.3" (110mm)
G 27.9" (710mm)

TDW-204WL
A 7.8" (200mm)
B 37.8" (960mm)
C 13.8" (350mm)
D 10.8" (275mm)
E 4.9" (124mm)
F 5.9" (150mm)
G 35.8" (910mm)

Yamato

YAMATO CORPORATION

1775 S. Murray Blvd.
Colorado Springs, CO 80916 USA
Tel (719) 591-1500 Fax (719) 591-1045

YAMATO TECH CORPORATION

#112-19425 Langley By-Pass
Surrey, B.C. V3S 6K1 Canada
Tel (604) 533-2338 Fax (604) 533-0827