

# Universal Hanging Scales™

## CKS Series

### Many applications

These Universal Hanging Scales can be used for weighing as well as for measurement of tension, pull or torque. They are available in capacities of 60, 150 and 300 lb.

### Accurate and sensitive

The precision springs are calibrated with certified weights. The fine tooth rack and pinion are combined with a balanced, extra lightweight indicator to provide greatest possible sensitivity.

### Easy to use

No weights to handle or slide. Direct weight readings mean error-free, fast weighting. The special design of the indicator virtually eliminates parallax viewing problems. The black on white, distinct dial graduations ensure quick and easy-to-read weight determination.

### Capacities

Models	Capacities	Shipping Weight	
		lb	kg
CKS-760	60 lb x 4 oz	4.0	1.8
CKS-7150	150 lb x 8 oz	4.0	1.8
CKS-7300	300 lb x 1 lb	4.0	1.8

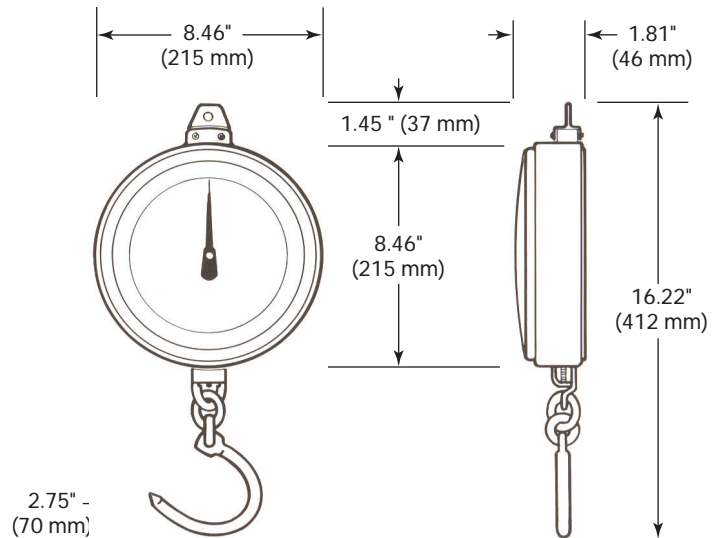
### Rugged, durable construction

All steel, compact, designed to be long lasting weighing instruments, all models are equipped with fine tooth racks, machine cut precision pinions and dual springs to provide the greatest possible accuracy. All internal parts are nickel or zinc plated for maximum protection against corrosion. No special tools are required to access the weighing mechanism. Service and calibration are easy to perform. The chart and indicator are protected by a clear, shatter-proof plexi-glass dial cover.

### Choice of receptacles

A standard weighing hook is easily removable for the addition of a variety of optional pans, scoops, etc.

### Dimensions



### Portability

Light (weighs only 3.6 lb. -- 1.6 kg), easy to carry "on-the-job." Hangs from any hook. A mounting bracket can be supplied for sturdy support and ease of operation.

### Limited warranty

Comprehensive one year limited warranty (subject to our standard terms and conditions) against defects in parts and workmanship under normal conditions of installation, maintenance and usage.

### Service and maintenance

Service and maintenance are available through hundreds of \*Accu-Weigh Dealers in the United States and Canada.

Specifications subject to change without notice.

# Yamato

Yamato Corporation  
P.O. Box 15070  
Colorado Springs, CO 80935-5070  
U.S.A.  
Tel (719) 591-1500  
Fax (719) 591-1045

Yamato Tech Corporation  
#112-19425 Langley By-Pass  
Surrey, B.C. V3S 6K1  
Canada  
Tel (604) 533-2338  
Fax (604) 533-0827