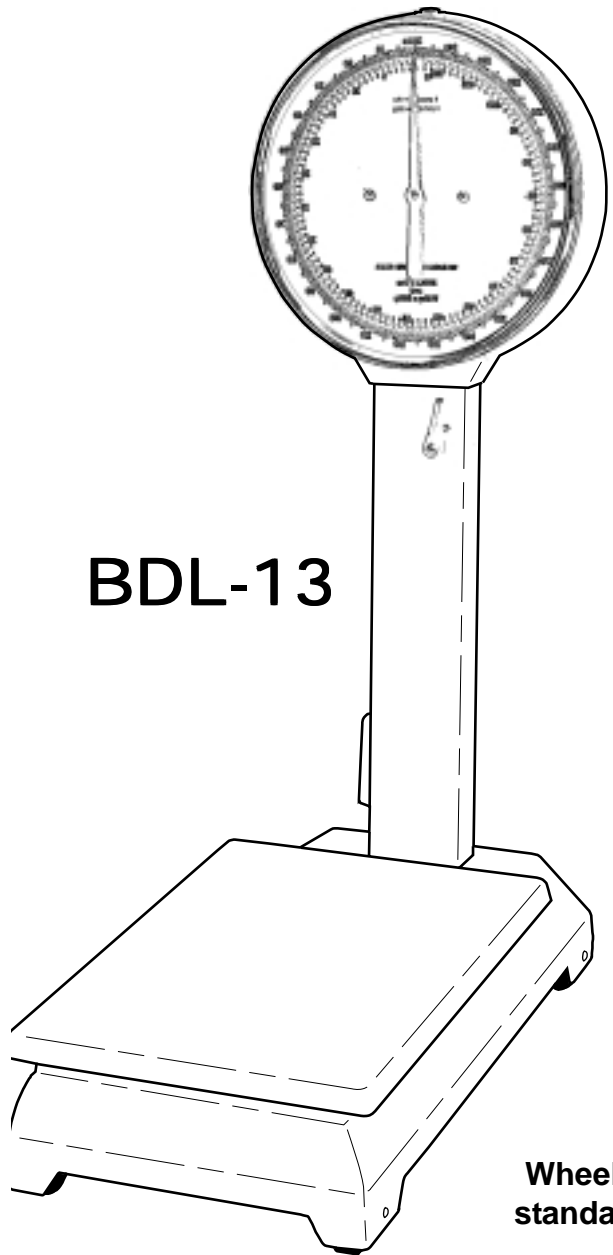
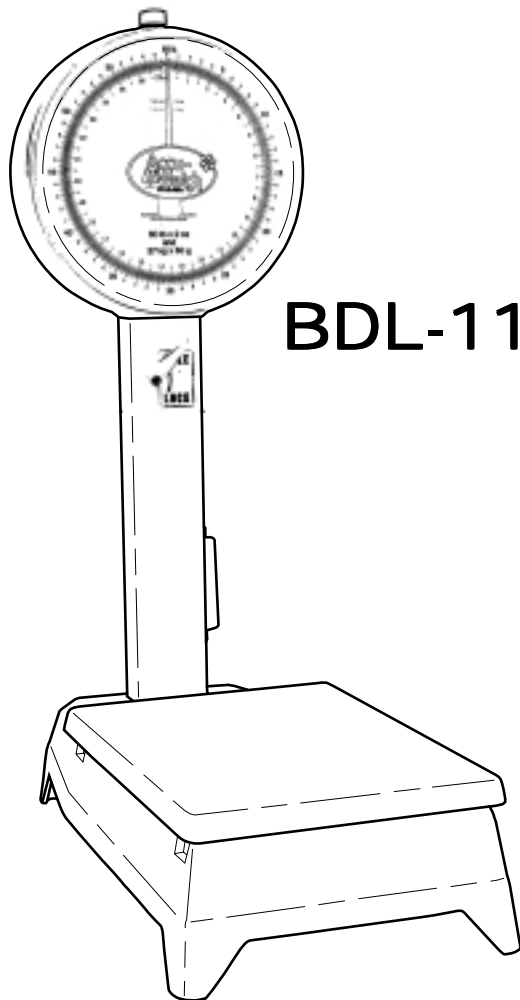


Yesterday's Reliability Meeting Today's Demands



BDL Series

Bench Dial Scales

13" and 11" Dials

Rugged Construction

Application

With a stable easy to read indicator and rugged construction, the BDL scales are ideally suited for industrial and heavy commercial use.

Features

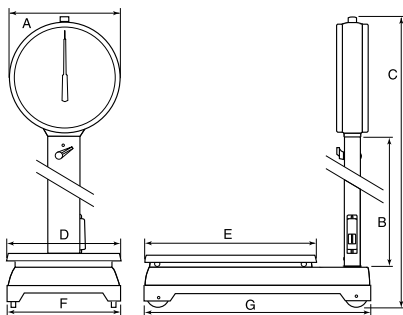
- Large, convenient platform
- Easy to use
- Accurate
 - Fine point indicator
 - Temperature compensated spring mechanism
- Rugged, durable construction
 - Heavy duty cast iron base
- Versatile

Specifications

Model	BDL-13 and BDL-11	
Capacity and Divisions	BDL-13	
	50D	50 lb x 0.1 lb
	125PK	125 lb x 0.25 lb 56 kg x 0.1 kg
	250PK	250 lb x 0.5 lb 112 kg x 0.2 kg
	25M	25 kg x 0.05 kg
	50M	50 kg x 0.1 kg
BDL-11	60PK	60 lb x 2 oz 27 kg x 0.05 kg
	100PK	100 lb x 4 oz 45 kg x 0.1 kg
	200PK	200 lb x 8 oz 90 kg x 0.2 kg
	BDL-11	
Weighing System	Dual Springs	
Platform	BDL-13	13.5 x 20.5 (349 x 528)
	BDL-11	10.5 x 15.0 (267 x 381)
Indicator	Dial Chart with Fine Point Indicator	
Operating Temperature	14 °F ~ 104 °F (-10 C ~ 40 C)	
Shipping Weight	BDL-13	102 lb (46.3 kg)
	BDL-11	49 lb (22.2 kg)

All dimensions are approximate. Dimensions are given in inches (millimeters.)

Dimensions



	11" Models	13" Models
	standard	standard
A	11	13
B	19.9	19.1
C	36.3	37.8
D	10.5	13.5
E	15.0	20.5
F	11.5	13.5
G	22.5	27.5

Yamato

YAMATO CORPORATION
1775 S. Murray Blvd.
Colorado Springs, CO 80916 USA
Tel (719) 591-1500 Fax (719) 591-1045

YAMATO TECH CORPORATION
#112-19425 Langley By-Pass
Surrey, B.C. V3S 6K1 Canada
Tel (604) 533-2338 Fax (604) 533-0827