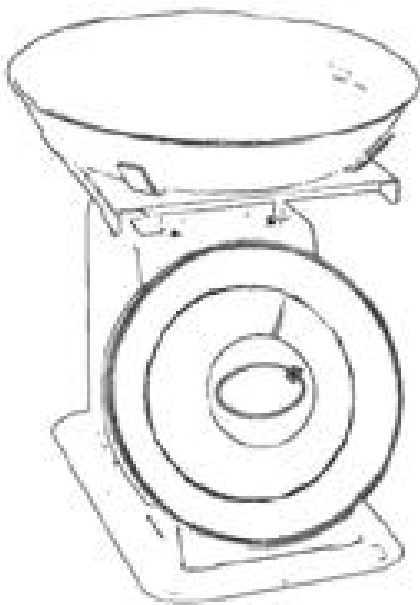
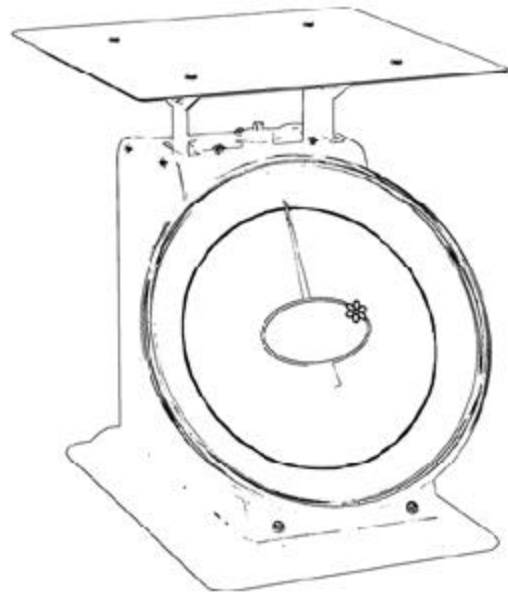


Universal Dial Scale M Series



Standard 8" dial



Heavy duty 11" dial

The quality, reliability and accuracy of
*Accu-Weigh_{by Yamato} universal
dial scale.

by Yamato

Accurate

A scale for any application

Capacities from 2 lb to 150 lb (900 g to 67 kg), with graduations as small as 1/8 oz. (1 g), provide a wide range of choices to suit your needs. You can also customize your Universal Dial Scale by adding carrying handles and air dashpots.

Accurate

Accurate

- Fine point indicator
- Temperature compensated spring mechanism

Easy to read

- Dial tilted at 30°

Instant readings

- Air dashpots "shock absorber" which controls the oscillation of the indicator (optional)

Rugged, durable construction

- Heavy duty cast iron base

Versatile

- Large, convenient platform

Options

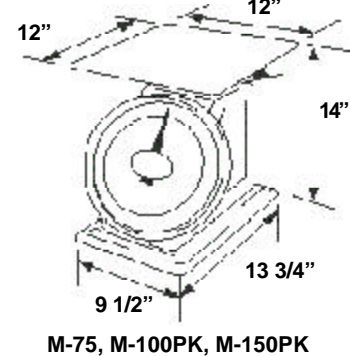
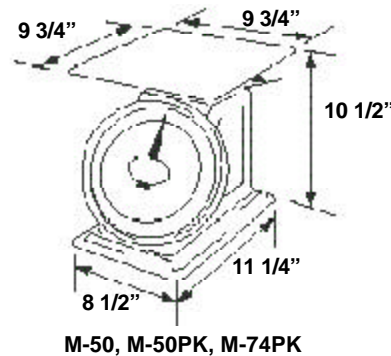
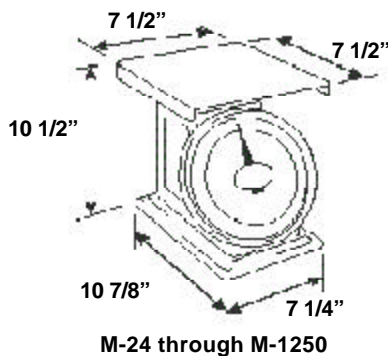
- 5 Qt. bowl
- Air dashpot
- Carrying handle
- Round Platform
- Scoop/Spider 10"

Rugged

Specifications

Model	M Series
Weighing System	Temperature compensated spring mechanism
M-24	32 oz x 1/4 oz
M-24PK	32 oz x 1/4 oz and 900 g x 2 g
M-28	32 oz x 1/8 oz
M-28PK	32 oz x 1/8 oz and 900 g x 2 g
M-5	5 lb x 1/2 oz
M-5PK	5 lb x 1/2 oz and 2 kg x 10 g
M-10	10 lb x 1 oz
M-10PK	10 lb x 1 oz and 4 kg x 20 g
M-20	20 lb x 1 oz
M-20PK	20 lb x 1 oz and 9 kg x 50 g
M-25D	25 lb x 0.01 lb
M-25PK	25 lb x 2 oz and 11 kg x 50 g
Capacities	
M-30PK	30 lb x 2 oz and 13.5 kg x 50 g
M-40	40 lb x 2 oz
M-40PK	40 lb x 2 oz and 18 kg x 50 g
M-54PK	50 lb x 4 oz and 22 kg x 100 g
M-800	800 g x 1 g
M-410	4 kg x 10 g
M-1250	12 kg x 50 g
M-50	50 lb x 2 oz
M-50PK	50 lb x 2 oz and 22 kg x 50 g
M-74PK	70 lb x 4 oz and 30 kg x 100 g
M-75PK	75 lb x 4 oz and 33.5 kg x 100 g
M-100PK	100 lb x 4 oz and 45 kg x 100 g
M-150PK	150 lb x 8 oz and 67 kg x 200 g
Material	Enamel Painted Mild Steel
Operating Temp.	14° F to 104° F (-10 C to 40 C)
Shipping Weight	Standard 9 lb (4 kg)
	M-50 / M-50PK / M-74PK 11 lb (5 kg)
	M-75PK / M-100PK / M-150PK 22 lb (10 kg) 9 lb (4 kg)

All dimensions are approximate. Dimensions are given in inches (millimeters).



YAMATO CORPORATION
1775 S. Murray Blvd.
Colorado Springs, CO 80916 USA
Tel (719) 591-1500 Fax (719) 591-1045

YAMATO TECH CORPORATION
#112-19425 Langley By-Pass
Surrey, B.C. V3S 6K1 Canada
Tel (604) 533-2338 Fax (604) 533-0827