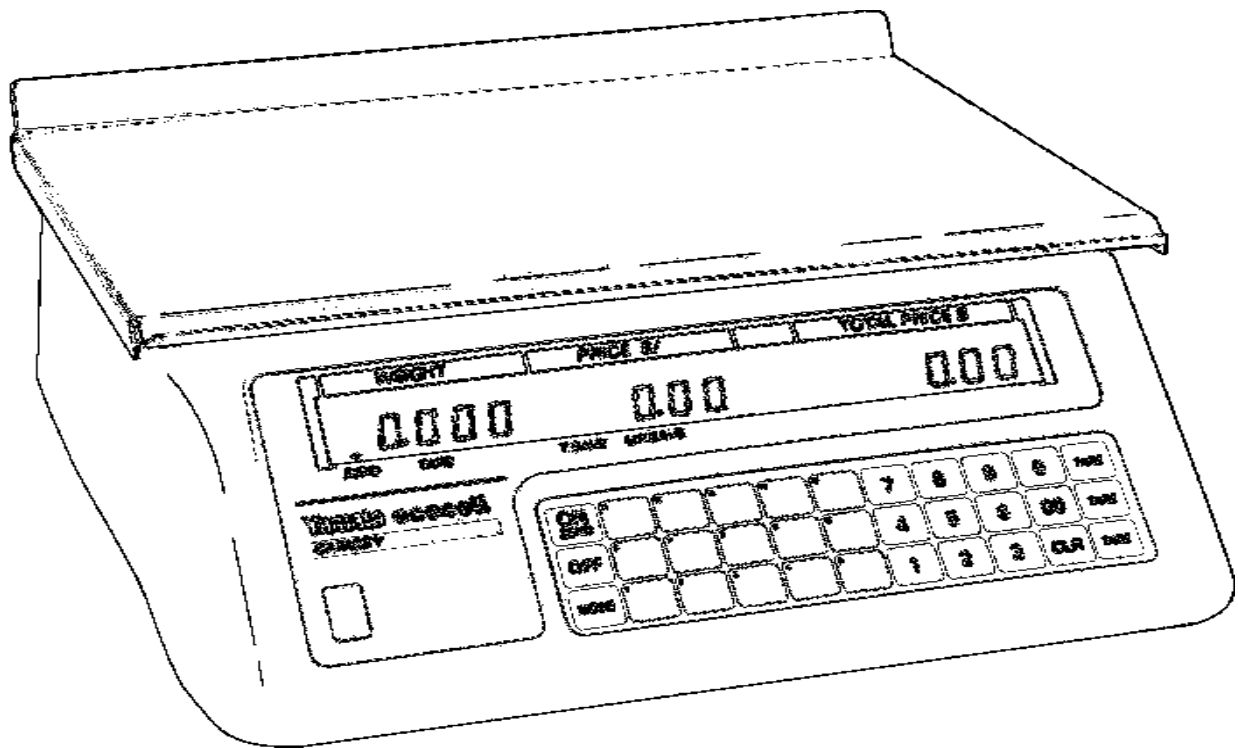


R-220

Price Computing Scale

with PLU Presets



**Finally . . . an economical retail scale
that weighs everything from small
meats to heavy produce!**



R-220

Price Computing Scale

15 PLU Preset Keys Large Capacity Dual Display Drainage Platform

Applications

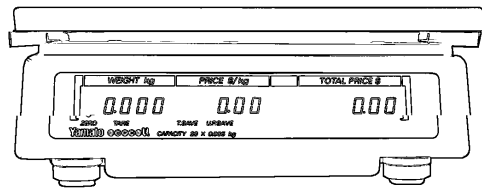
Perfect for any point-of-sales application. R-220's programmable PLU's provide high transaction rates with simple operation. Its large capacity and small division size allows you to handle a wide range of commodities, yet maintain high accuracy.

Features

- ◆ 40 lb Capacity
- ◆ 15 PLU Preset Keys
- ◆ 30 PLU Memories
- ◆ Stainless Steel Platform
- ◆ Bright Fluorescent Display
- ◆ Customer Display (pictured below)
- ◆ Automatic Zero Setting Mechanism
- ◆ Initial Zero Setting Mechanism
- ◆ Unit Price Auto Clear (can disable)
- ◆ Tare Auto Clear (can disable)
- ◆ Full Numeric Keypad with 00 Key
- ◆ Push Button Keys
 - On, Off, Tare, Tare Save, Clear,
 - Unit Price Save, & Mode
- ◆ Indicators
 - Tare, Center of Zero,
 - Tare Save, & Unit Price Save

Specifications

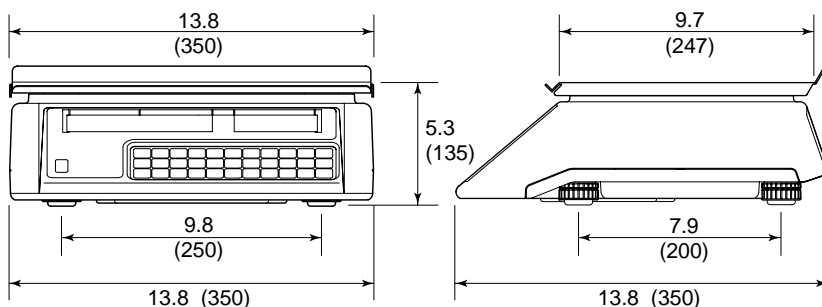
Model	R-220	
Capacities and Divisions	Decimal Pound 40 lb x 0.01 lb	or Decimal Kilograms 20 kg x 0.005 kg
Accuracy Class	Class III 2000 Divisions	
Certificate of Conformance #	98-205A1	
Weighing System	Strain Guage Load Cell	
Platform	9.7 x 13.8 (247 x 350); Stainless Steel	
Indicator	Dual Display; Vacuum Fluorescent Tube Weight: 5 Digits Unit Price: 5 Digits Total Price: 6 Digits	
Maximum Tare	40 lb or 9 kg	
Price Look Up	15 PLU Preset Keys, 30 PLU Memeories	
Power Supply	AC 115 Volts, 5.8 Watts	
Operating Temp.	23°F - 94°F (-5 C - +35 C)	
Shipping Weight	20 lb (9 kg)	



Customer Display

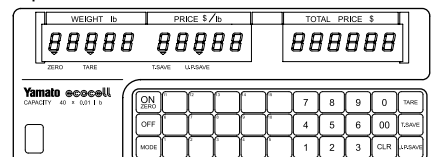
All weights and dimensions are approximate. Dimensions are given in inches and (millimeters).

Dimensions

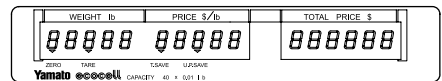


Indicator \ Keypad

Operator



Customer



Yamato

YAMATO CORPORATION
1775 S. Murray Blvd.
Colorado Springs, CO 80916 USA
Tel (719) 591-1500 Fax (719) 591-1045

YAMATO TECH CORPORATION
#112-19425 Langley By-Pass
Surrey, B.C. V3S 6K1 Canada
Tel (604) 533-2338 Fax (604) 533-0827