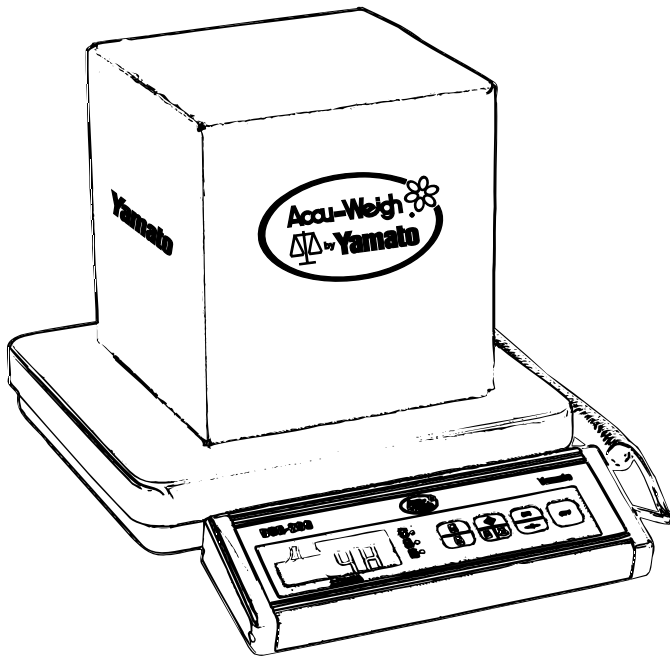


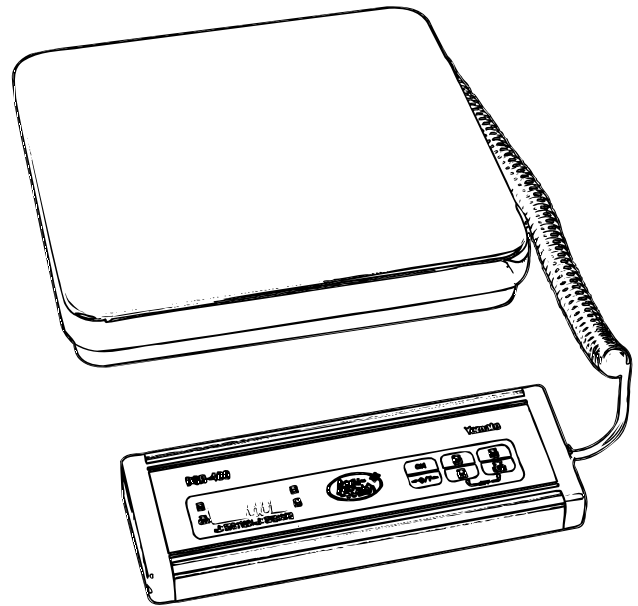
DSR Series

Digital Scale

Durable 200 lb and 400 lb capacity scales.



DSR-200



DSR-400

Ideal for Shipping and Receiving!

General Purpose

Application

The DSR Series features a large 12" x 12" removable stainless steel platform that fits almost anywhere and an easy to read slanted display with a large 1" display on the DSR-200, 1/2" on the DSR-400. The indicator is connected to the base by a 9 foot coiled cord which allows for convenient remote placement. A keypad toggle allows pound and kilo-gram unit selection with resolutions as low as 0.2 lb or 0.1 kg.

Features

- Stainless Steel Platform
- Large LCD Display
- Battery or AC Operation
- Auto Zero Setting Mechanism
- Initial Zero Setting Mechanism
- Auto Shut-Off
- Push Button
On, Off, Net/Gross/Tare, & Unit Toggle
- LCD Indicators (DSR-400)
Net/Gross, Center of Zero, Stable, Units, & Low Battery
- LED Indicators (DSR-200)
Net/Gross, Units

Specifications

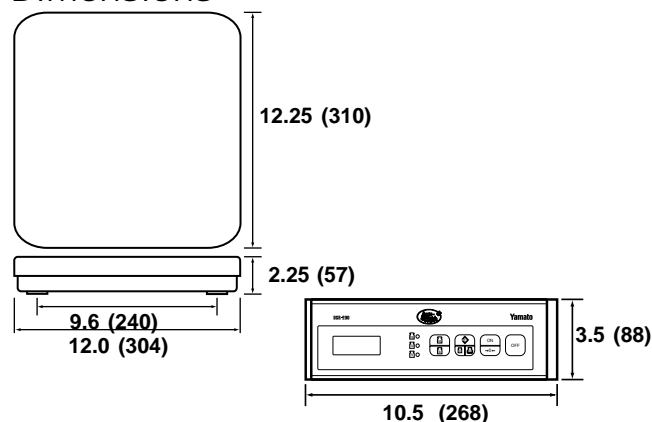
Model	DSR Series
Capacities	DSR-200 0 - 200 lb x 0.2 lb 0 - 100 kg x 0.1 kg
	DSR-400 0 - 220 lb x 0.5 lb/220 - 400lb x 1.0 lb 0 - 100 kg x 0.2 kg/100 - 180 kg x 0.5 kg
Weighing System	Strain Gauge Load Cell
Taring range	Full Scale
Platform Dimensions	12" W x 2.25" H x 12.25" D (304 mm W x 57 mm H x 310 mm D)
Indicator	Liquid Crystal Display: 4 Digits plus indicators DSR-200 Character Size: 0.9 x 0.4 (23 x 11) DSR-400 Character Size: 0.5 x 0.2 (13 x 6)
Display units	Decimal lb / kg
Power source	6 AA Size Batteries or AC Adapter
Operating temperature range	32°F ~ 104°F (0 C ~ 40 C)
Shipping Weight	12 lb (5.5 kg)

Options

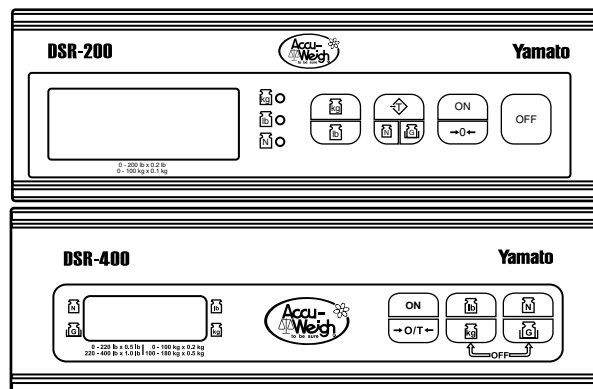
- Foot Tare Switch (DSR-400 only)

All dimensions are approximate. Dimensions are given in inches (millimeters.)

Dimensions



Indicator / Keyboard



Yamato
www.YamatoCorp.com

YAMATO CORPORATION
1775 S. Murray Blvd.
Colorado Springs, CO 80916 USA
Tel (719) 591-1500 Fax (719) 591-1045

YAMATO TECH CORPORATION
#112-19425 Langley By-Pass
Surrey, B.C. V3S 6K1 Canada
Tel (604) 533-2338 Fax (604) 533-0827