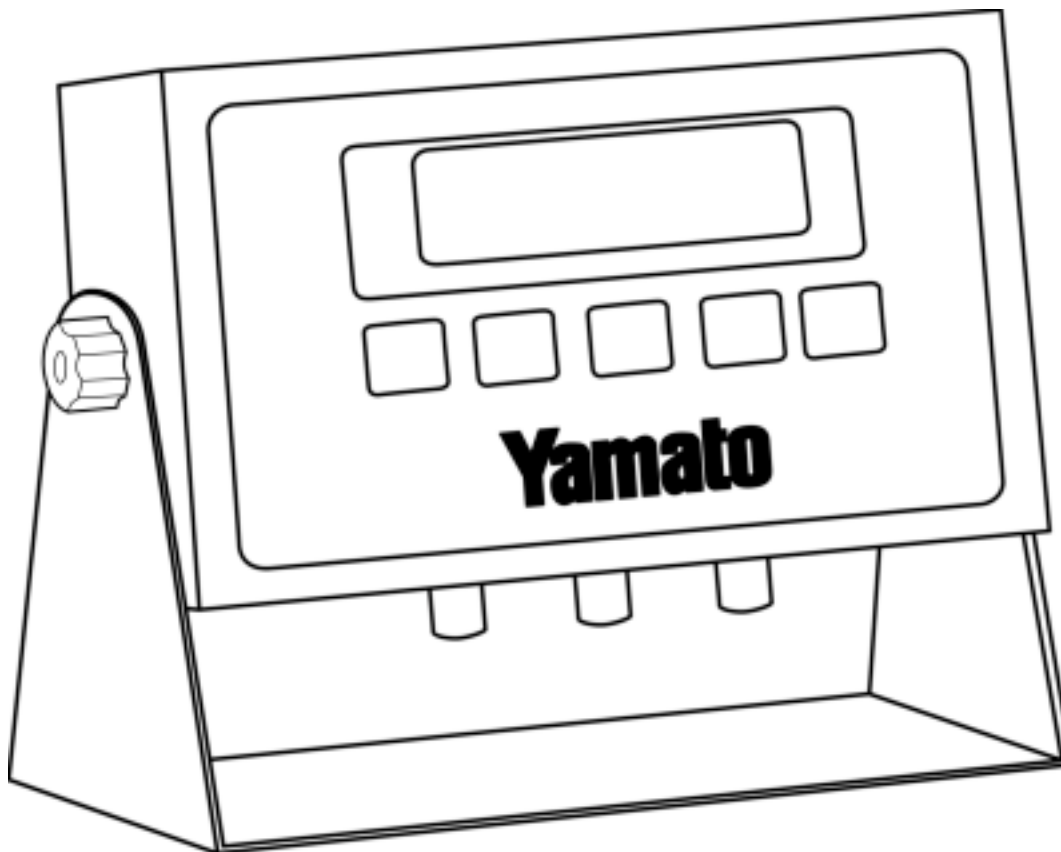


DPI-500

Digital Indicator

**Rugged, stainless steel housing**  
**NEMA-4X**  
**NTEP approved at 5000 divisions**  
**C.O.C #96-163**  
**Full duplex RS-232 serial port**  
**Drives up to eight 350 $\Omega$  load cells**



## Many Uses

The Yamato DPI-500 is a tough, versatile indicator, which can be used in a variety of situations. It can drive up to 8-350Ω load cells. Use it for a truck scale, floor scale, or a mechanical conversion. Mate it to a Yamato base to create your own system. Since it operates on 12VDC, the DPI-500 can run off of a typical 12V car battery. A 12V AC adapter is included if a wall outlet is convenient.

## Waterproof

The DPI-500 is a fully washdown, NEMA-4X device. It is perfect for use in fisheries, poultry factories, or any other wet, messy environment.

## NTEP Approved!

This device is NTEP approved at 5000 divisions, yet has the capability to display 50,000 divisions! Capable of 260,000 internal counts, the DPI-500 ensures high resolution.

## Easy to Read Display

The large 0.6" (1.5cm) LED display is bright and easy to read from a distance. The simple, but fully functional keypad makes the DPI-500 easy to operate. All setup parameters can be programmed from the front keypad.

## Full Duplex RS-232

The DPI-500 uses a full duplex RS-232 serial communication port to communicate with many different peripheral devices. The indicator can transmit data on demand or continuously, depending on the requirements of the device. Hook up a printer and remote display, or connect the DPI-500 to a personal computer to keep track of the product being weighed.

## Specifications

Load Cell Excitation: +10 VDC

Load Cell Current: Drive up to 8-350Ω load cells

Analog Signal Input Range: 0.2mV/V to 3.0mV/V

A/D Resolution: Up to 260,000 internal counts

Display: 0.6", 6 digit LED

Display Resolution: Up to 50,000 max, selectable

Serial Port: Full duplex RS-232

Power Requirements: 12 VDC, 650mA

Power Consumption: 200mA + 30mA/load cell

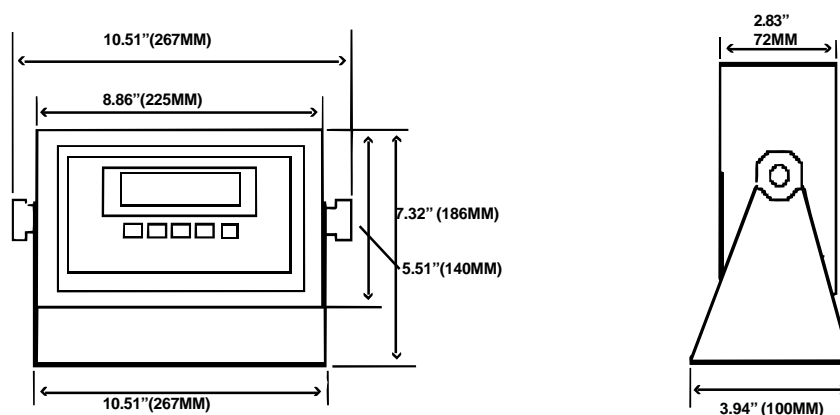
Operating Temp.: -10°C to 40°C (14°F to 104°F)

NIST Classification:

H-44 Class III at 5,000 divisions

C.O.C.# 96-163

## Dimensions



# Yamato

YAMATO CORPORATION  
1775 S. Murray Blvd.  
Colorado Springs, CO 80916 USA  
Tel (719) 591-1500 Fax (719) 591-1045

YAMATO TECH CORPORATION  
#112-19425 Langley By-Pass  
Surrey, B.C. V3S 6K1 Canada  
Tel (604) 533-2338 Fax (604) 533-0827