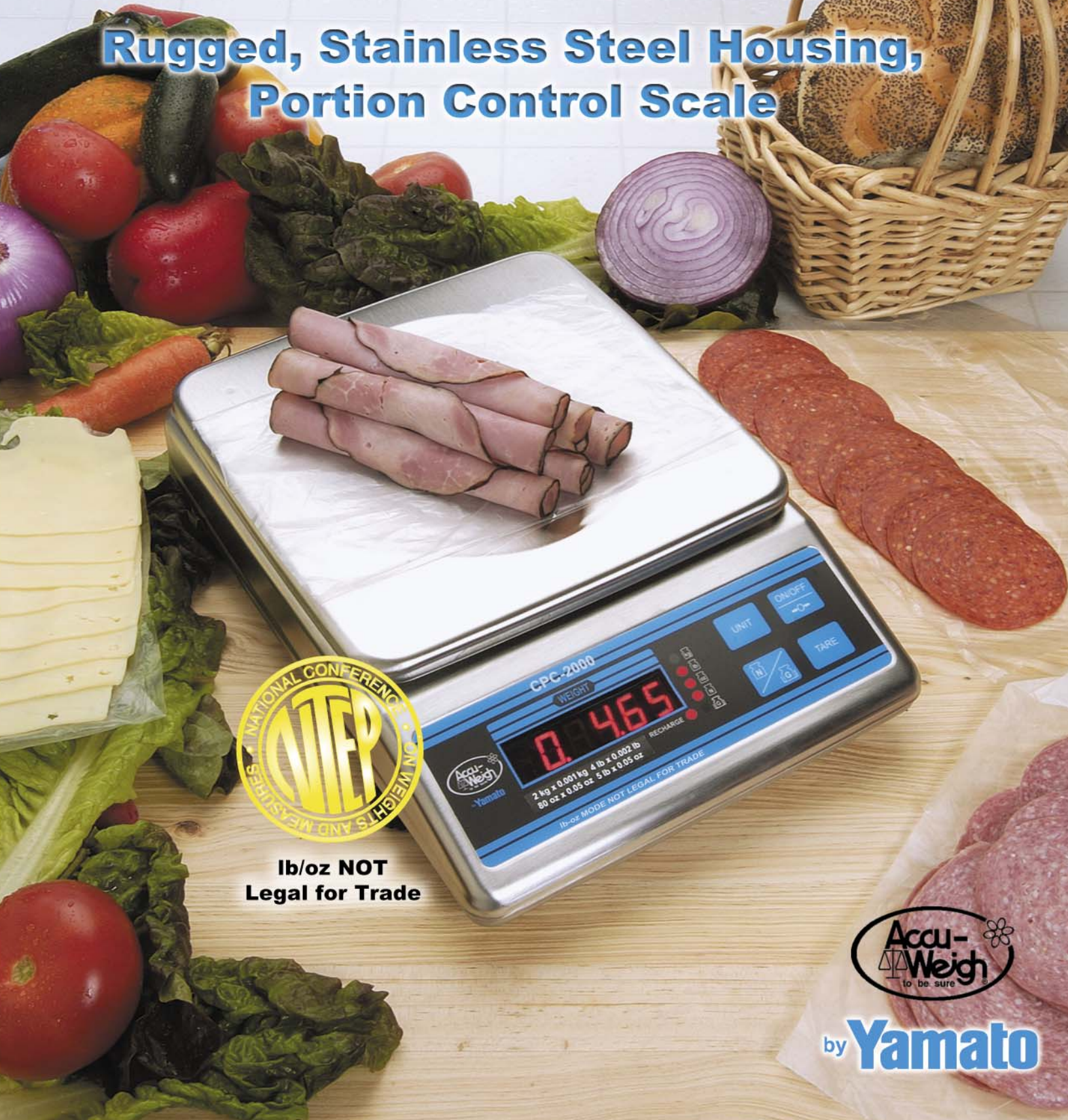


CPC-2000

**Rugged, Stainless Steel Housing,
Portion Control Scale**



**lb/oz NOT
Legal for Trade**



by **Yamato**

All Stainless Steel LED Display

Rechargeable Affordable

Application

General, legal for trade, portion control scale with all stainless steel construction. Portable wireless design, ideal for use in the poultry, seafood and meat processing industries. Easy to read, large LED display.

Features

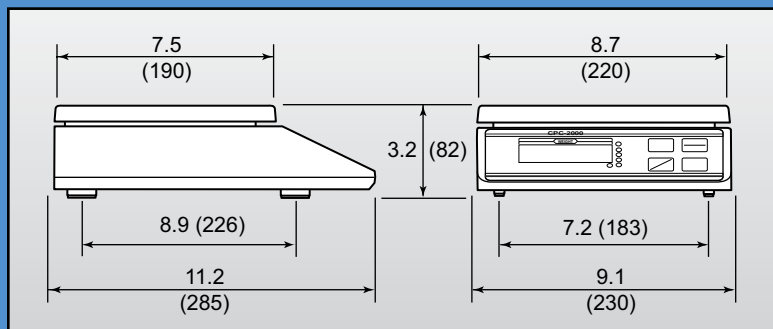
- ◆ Four Weighing Modes
lb, kg, oz and lb/oz
(lb/oz NOT Legal for Trade)
- ◆ All Stainless Steel Construction
- ◆ Large LED Display
- ◆ Rechargeable Battery Operation
- ◆ Auto Zero Setting Mechanism
- ◆ Initial Zero Setting Mechanism
- ◆ Semi Zero Setting Mechanism
- ◆ Auto Shut-Off
(Able / Disable Selectable)
- ◆ Simple Key Function
On/Off/Zero, Net/Gross,
Tare and Unit Toggle
- ◆ LED Indicators
Net, Gross, lb, kg, oz,
Recharge
- ◆ Large Removable Stainless Steel
Platform
- ◆ AC Adaptor
- ◆ USDA Accepted

Specification

Model	CPC-2000				
Accuracy Class	Class III 2000 Divisions				
Certificate of Conformance #					
Capacity and Division	4 lb x 0.002 lb	10 lb x 0.005 lb			
	2 kg x 0.001 kg	4 kg x 0.002 kg			
	80 oz x 0.05 oz	160 oz x 0.1 oz			
	<table border="1"> <tr> <td>lb / oz NOT Legal for Trade</td> <td>5 lb x 0.05 oz</td> <td>10 lb x 0.1 oz</td> </tr> </table>	lb / oz NOT Legal for Trade	5 lb x 0.05 oz	10 lb x 0.1 oz	
lb / oz NOT Legal for Trade	5 lb x 0.05 oz	10 lb x 0.1 oz			
Weighing System	Strain Gauge Load Cell				
Platform	8.5" x 8.5" (215 mm x 215 mm); Stainless Steel				
Indicator	LED: 5 Digits plus indicators Character size: 0.6" x 0.3" (14 mm x 7 mm)				
Power Supply	Rechargeable battery 6 Volt AC Adaptor (included)				
Battery Life	36 Hours of Continuous Use (8 hours to recharge)				
Operating Temp.	14°F ~ 104°F (-10° C ~ 40° C)				
Shipping Weight	10 lb (4.5 kg)				

All weights and dimensions are approximate. Dimensions are given in inches and (millimeters).

Dimensions



Indicator / Keypad

